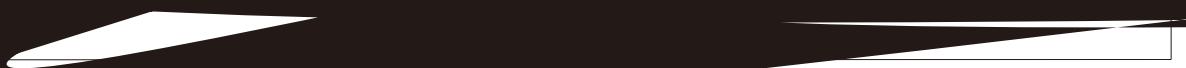
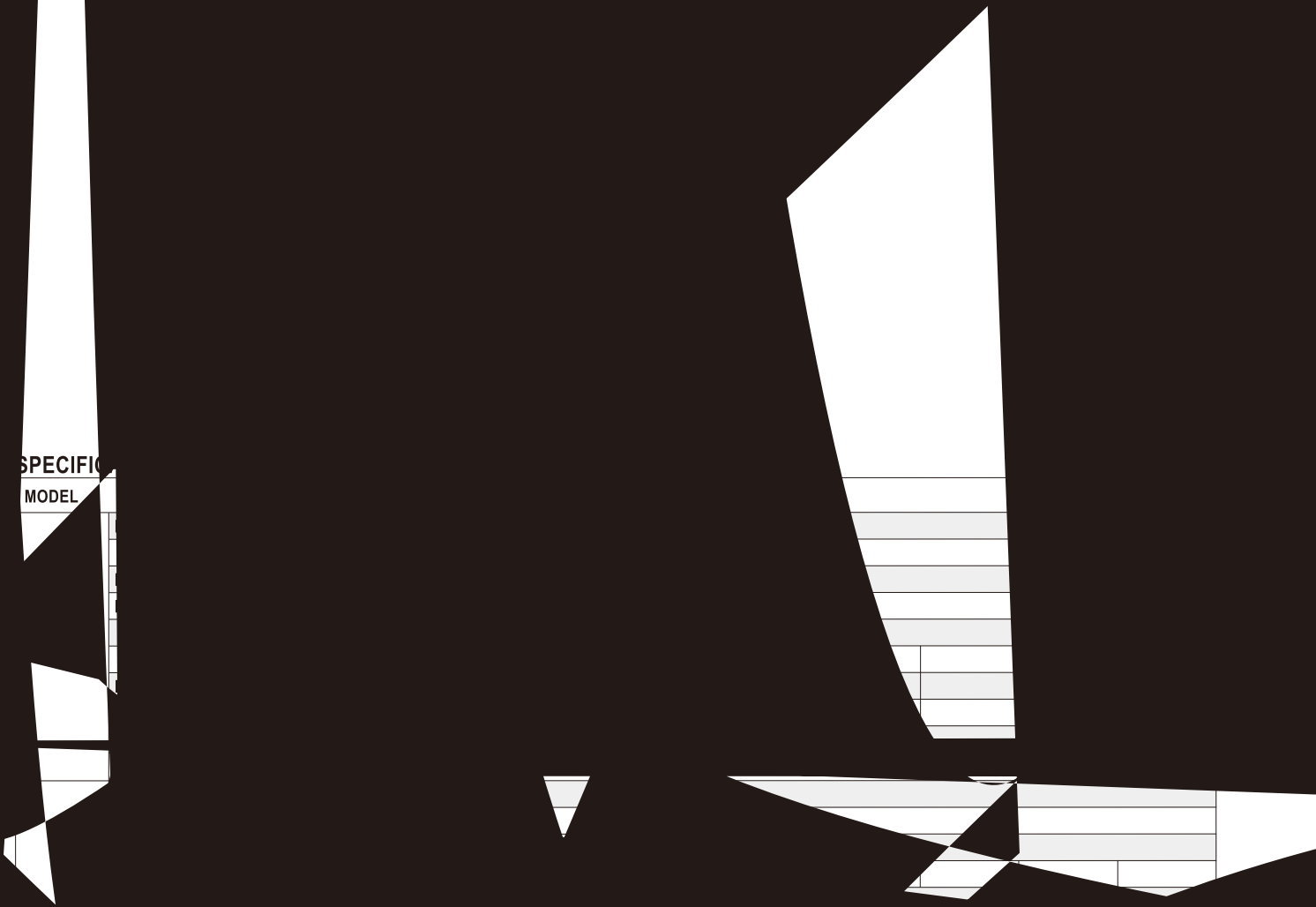


SPECIFIC
MODEL



Single C

Mec

ific

Case No. :LPF-16A

U

300±

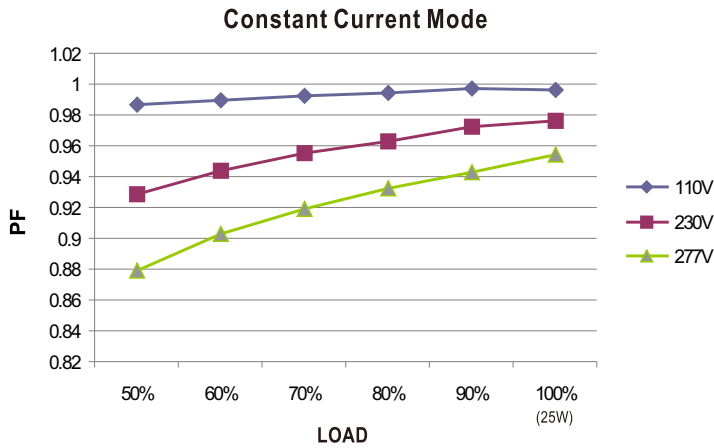
300±20

A Blue
A Brown

JT / 18AW *2

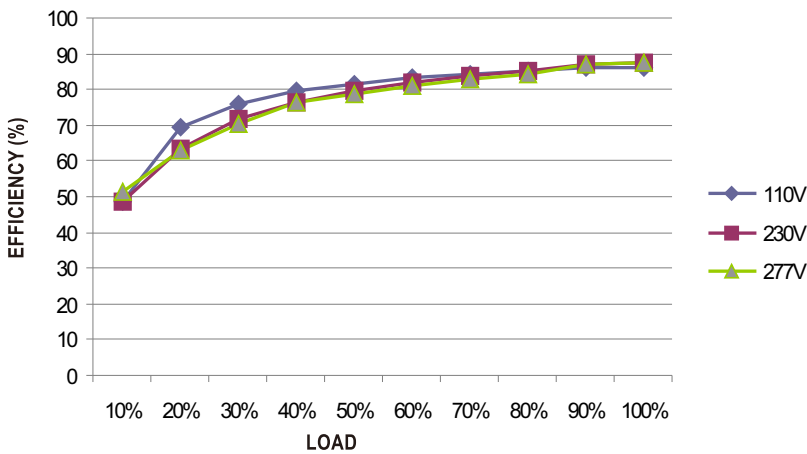
+V(Red)
-V(Black)
DIM+(Blue)

Power Factor Characteristic



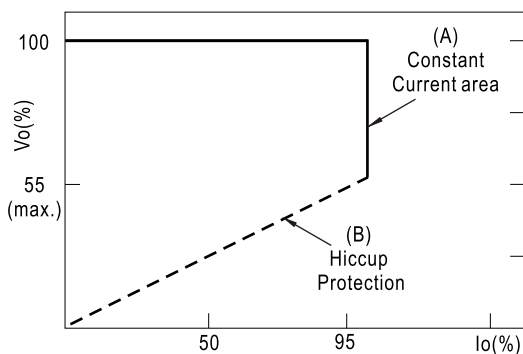
EFFICIENCY vs LOAD (48V Model)

LPF-25D series possess superior working efficiency that up to 86% can be reached in field applications.



DRIVING METHODS OF LED MODULE

This LED power supply is suggested to work in constant current mode area (CC) to drive the LEDs.



Typical LED power supply I-V curve

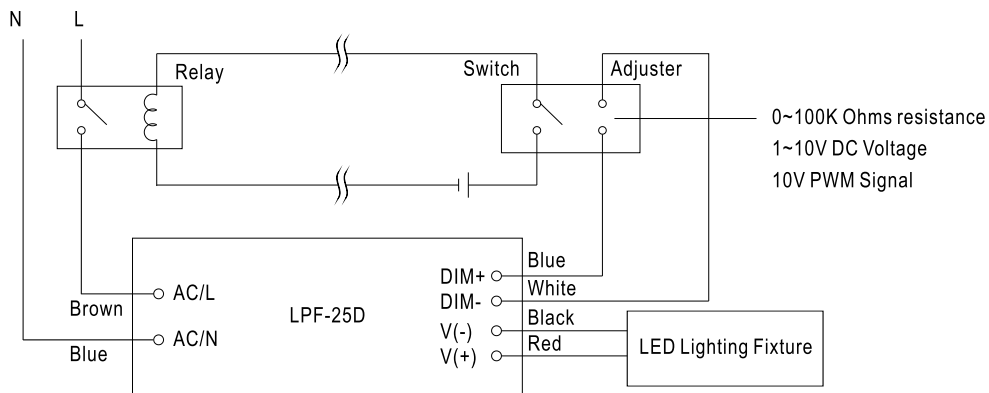
■ DIMMING OPERATION

AC/N(Blue)
AC/L(Brown)



+V(Red)
-V(Black)
DIM+(Blue)

Dimming connection diagram for turning the lighting fixture ON/OFF :



Using a switch and relay can turn ON/OFF the lighting fixture.

1. Output constant current level can be adjusted through output cable by connecting a resistor or 1~10Vdc or 10V PWM signal between DIM+ and DIM-.
2. The LED lighting fixture can be turned ON/OFF by the switch.